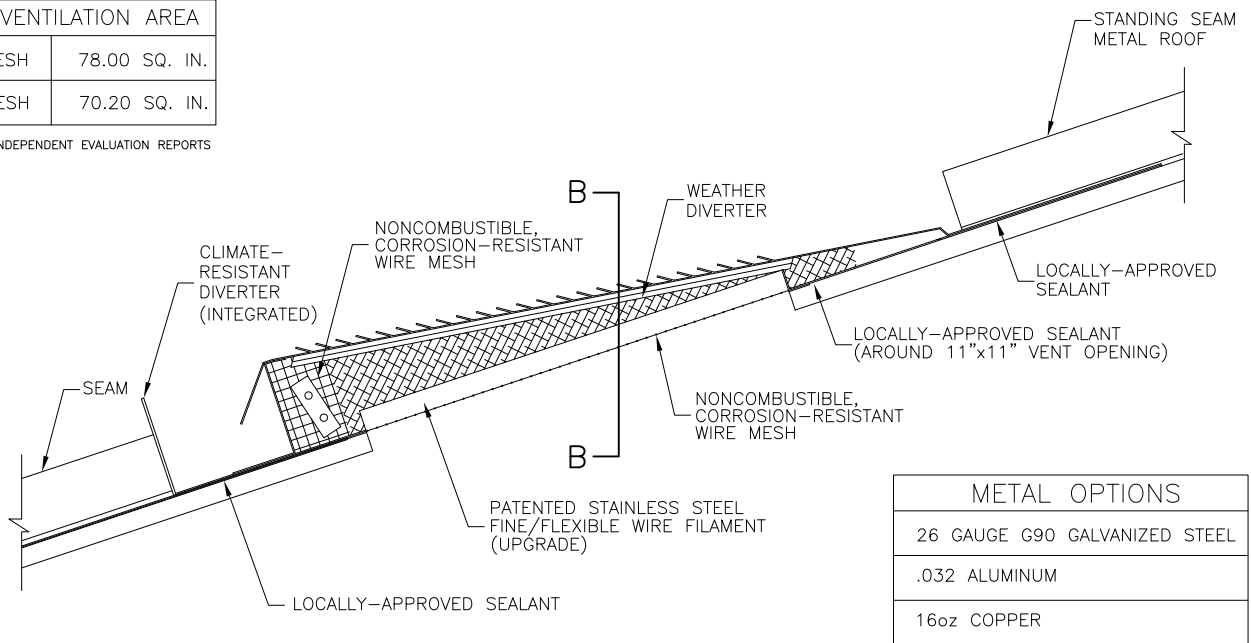


ELEVATIONS

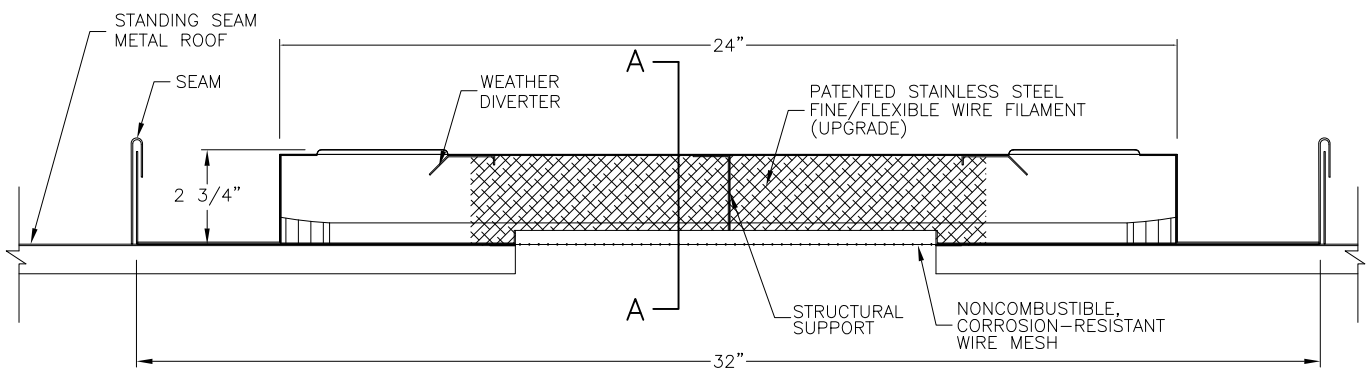
NET FREE VENTILATION AREA	
1/4" WIRE MESH	78.00 SQ. IN.
1/8" WIRE MESH	70.20 SQ. IN.

FIGURES BASED ON INDEPENDENT EVALUATION REPORTS



CLASS A MATERIALS SHOULD BE USED FOR BEST RESULTS.

SECTION A



SECTION B

APPROVALS AND RECOGNITIONS

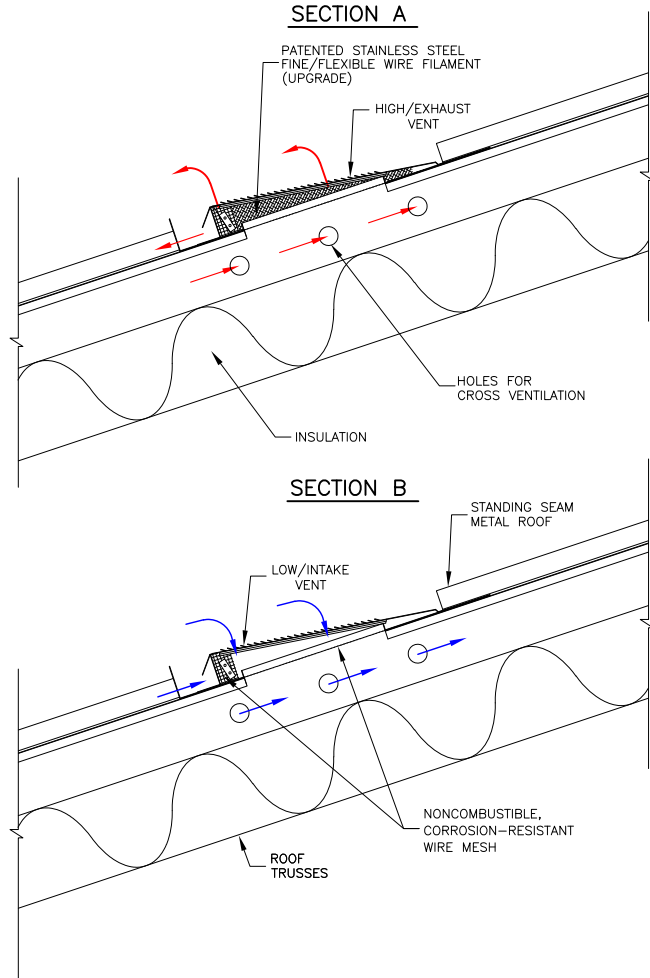
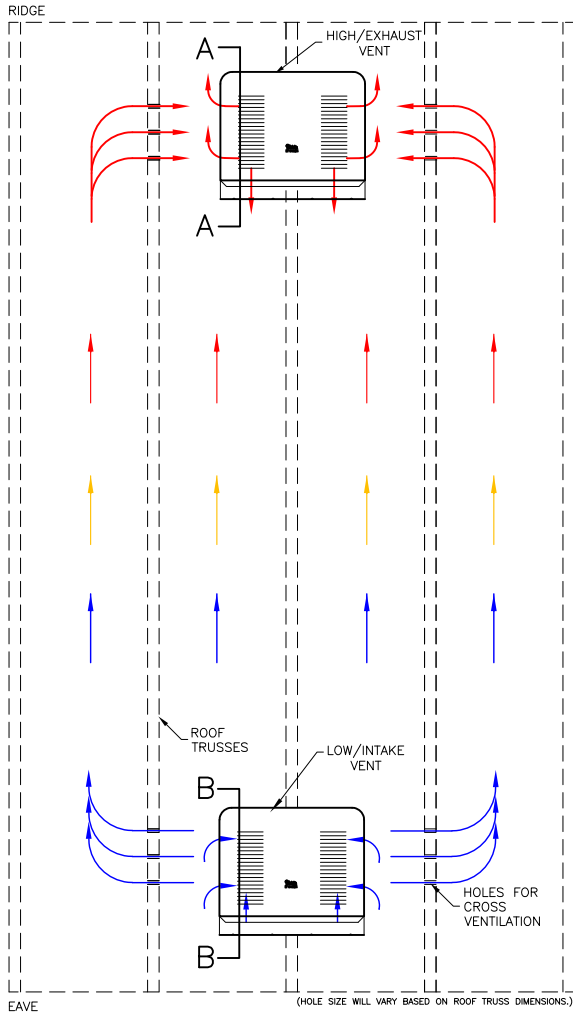


CLIMATE-RESISTANT SERIES
 Flame | Ember | Snow | Rain

210 Classic Court, Suite 100
 Rohnert Park, CA 94928
 Toll Free: (877) 324-0444
 Fax: (707) 588-9187

www.ohagin.com

O'Hagin is a recognized leader in attic ventilation testing and design.



O'HAGIN VENT LEGEND

O'HAGIN'S FIRE&ICE® LOW PROFILE (TAPERED) VENT STANDING SEAM METAL ROOFS CLIMATE-RESISTANT SERIES (CRS) WITH 4" FLANGE, 1/8" NONCOMBUSTIBLE, CORROSION-RESISTANT WIRE MESH & PATENTED STAINLESS STEEL FINE/FLEXIBLE WIRE FILAMENT. 70.20 SQUARE INCHES OF NFVA*
 MIAMI-DADE COUNTY PRODUCT CONTROL APPROVED. SEE NOA.



*NET FREE VENTILATION AREA	
1/4" WIRE MESH	78.00 SQ. IN.
1/8" WIRE MESH	70.20 SQ. IN.

FIGURES BASED ON INDEPENDENT EVALUATION REPORTS

O'HAGIN VENT VAULTED ROOF ASSEMBLY NOTES

FOR VAULTED/CATHEDRAL CEILING APPLICATION. CUT THE VENT OPENING DIRECTLY OVER THE ROOF RAFTER. DRILL THREE (3) HOLES IN THE UPPER PORTION OF THE ROOF RAFTER TO THE LEFT & RIGHT FOR CROSS VENTILATION THROUGH ALL CAVITIES. VENTS ARE INSTALLED LOW FOR INTAKE & HIGH FOR EXHAUST.

DO NOT INSTALL O'HAGIN VENTS BELOW AREAS OF CONCENTRATED WATER RUNOFF - PARTICULARLY IF PARTIALLY UNDER, NEAR & ADJACENT TO SOLAR ARRAYS. PLACEMENT ASSUMES GUTTERS ARE INSTALLED AND ARE IN GOOD WORKING ORDER.

FOR INSTALLATION VIDEOS/INSTRUCTIONS, TECH. BULLETINS, PAINTING RECOMMENDATIONS, WARRANTY AND MORE INFORMATION PLEASE VISIT O'HAGIN'S WEBSITE AT WWW.OHAGIN.COM.

O'HAGIN VENTS ARE DESIGNED TO BE PART OF A COMPLETE ROOFING SYSTEM. FAILURE TO PROPERLY INSTALL ALL COMPONENTS WILL NEGATIVELY IMPACT OVERALL PERFORMANCE AND WILL VOID WARRANTY PROTECTIONS.

APPROVALS AND RECOGNITIONS



CLIMATE-RESISTANT SERIES
 Flame | Ember | Snow | Rain

210 Classic Court, Suite 100
 Rohnert Park, CA 94928
 Toll Free: (877) 324-0444
 Fax: (707) 588-9187

www.ohagin.com

O'Hagin is a recognized leader in attic ventilation testing and design.