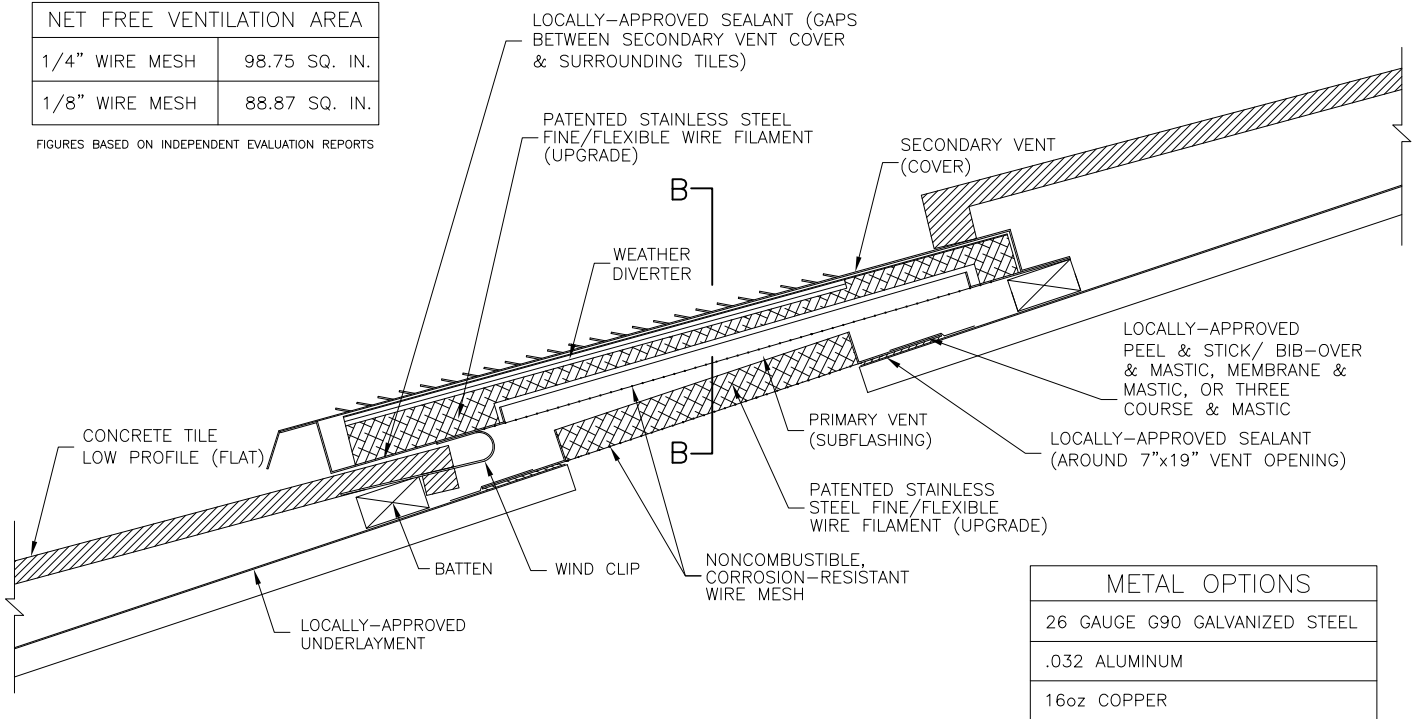


ELEVATIONS

NET FREE VENTILATION AREA	
1/4" WIRE MESH	98.75 SQ. IN.
1/8" WIRE MESH	88.87 SQ. IN.

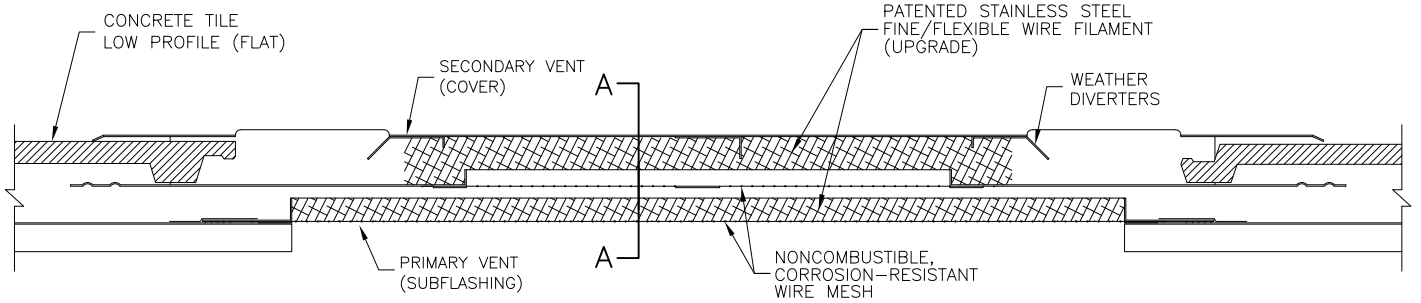
FIGURES BASED ON INDEPENDENT EVALUATION REPORTS



METAL OPTIONS
26 GAUGE G90 GALVANIZED STEEL
.032 ALUMINUM
16oz COPPER

CLASS A MATERIALS SHOULD BE USED FOR BEST RESULTS.

SECTION A



SECTION B

APPROVALS AND RECOGNITIONS

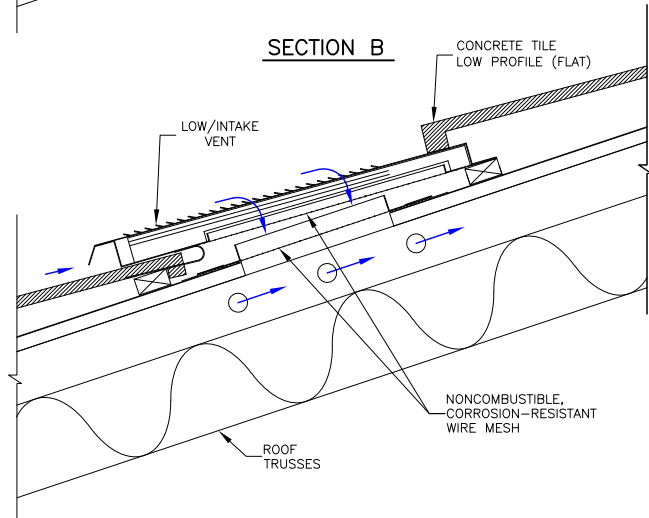
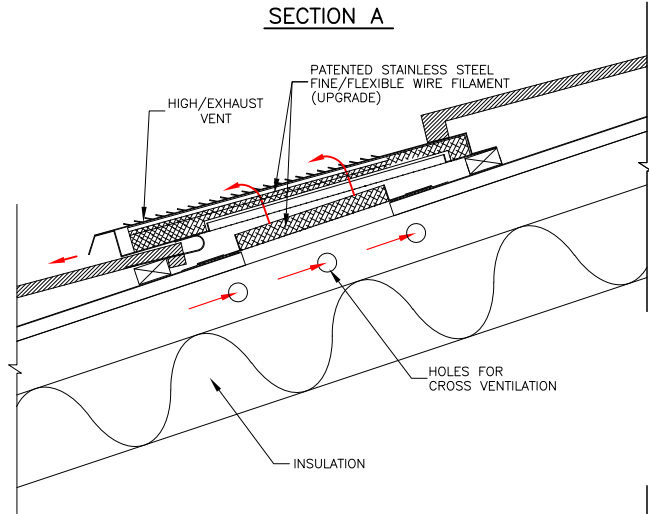
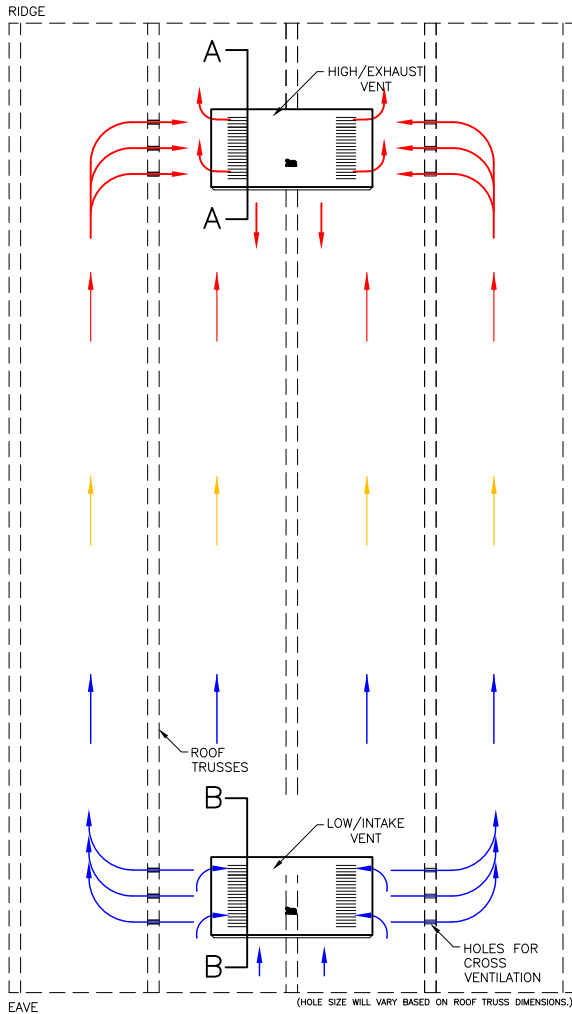


O'Hagin is a recognized leader in attic ventilation testing and design.



210 Classic Court, Suite 100  
 Rohnert Park, CA 94928  
 Toll Free: (877) 324-0444  
 Fax: (707) 588-9187

[www.ohagin.com](http://www.ohagin.com)



**O'HAGIN VENT LEGEND**

O'HAGIN FIRE&ICE® LOW PROFILE – "FLAT" VENT  
 CONCRETE TILE ROOF WITH 2" FLANGE, 1/8" NONCOMBUSTIBLE, CORROSION-RESISTANT WIRE MESH & PATENTED STAINLESS STEEL FINE/FLEXIBLE WIRE FILAMENT.  
 88.87 SQUARE INCHES OF NFVA\*

MIAMI-DADE COUNTY PRODUCT CONTROL APPROVED. SEE NOA.

*NET FREE VENTILATION AREA	
1/4" WIRE MESH	98.75 SQ. IN.
1/8" WIRE MESH	88.87 SQ. IN.

FIGURES BASED ON INDEPENDENT EVALUATION REPORTS

## O'HAGIN VENT VAULTED ROOF ASSEMBLY NOTES

FOR VAULTED/CATHEDRAL CEILING APPLICATION. CUT THE VENT OPENING DIRECTLY OVER THE ROOF RAFTER. DRILL THREE (3) HOLES IN THE UPPER PORTION OF THE ROOF RAFTER TO THE LEFT & RIGHT FOR CROSS VENTILATION THROUGH ALL CAVITIES. VENTS ARE INSTALLED LOW FOR INTAKE & HIGH FOR EXHAUST

DO NOT INSTALL O'HAGIN VENTS BELOW AREAS OF CONCENTRATED WATER RUNOFF – PARTICULARLY IF PARTIALLY UNDER, NEAR & ADJACENT TO SOLAR ARRAYS. PLACEMENT ASSUMES GUTTERS ARE INSTALLED AND ARE IN GOOD WORKING ORDER.

FOR INSTALLATION VIDEOS/INSTRUCTIONS, TECH. BULLETINS, PAINTING RECOMMENDATIONS, WARRANTY AND MORE INFORMATION PLEASE VISIT O'HAGIN'S WEBSITE AT [WWW.OHAGIN.COM](http://WWW.OHAGIN.COM).

O'HAGIN VENTS ARE DESIGNED TO BE PART OF A COMPLETE ROOFING SYSTEM. FAILURE TO PROPERLY INSTALL ALL COMPONENTS WILL NEGATIVELY IMPACT OVERALL PERFORMANCE AND WILL VOID WARRANTY PROTECTIONS.

### APPROVALS AND RECOGNITIONS



O'Hagin is a recognized leader in attic ventilation testing and design.



210 Classic Court, Suite 100  
 Rohnert Park, CA 94928  
 Toll Free: (877) 324-0444  
 Fax: (707) 588-9187

[www.ohagin.com](http://www.ohagin.com)