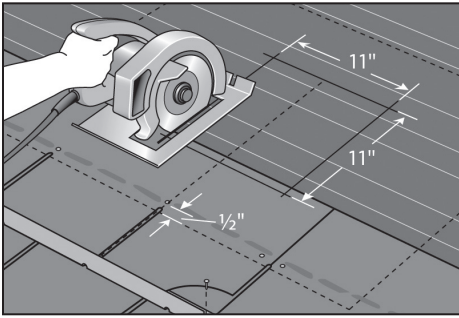
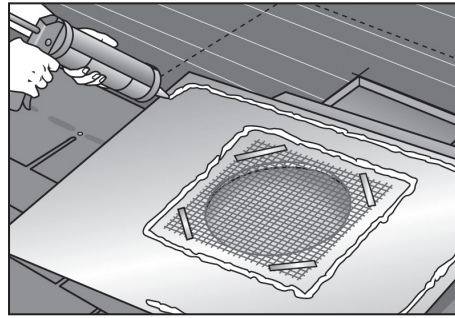


O'HAGIN TRADITIONAL, FIRE & ICE AND WEATHER MASTER ATTIC VENTS

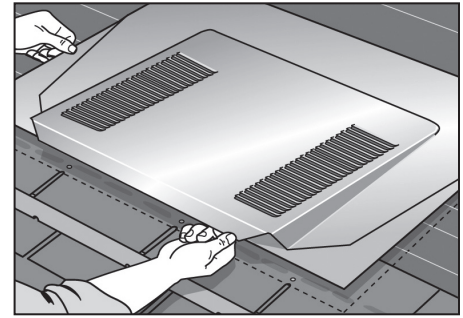
INSTALLATION INSTRUCTIONS FOR SHINGLE, SHAKE AND SLATE ROOF APPLICATIONS



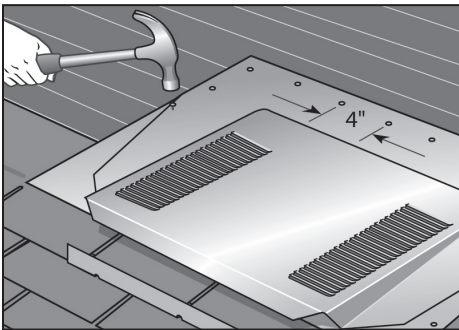
1. MARK & CUT* Align front of vent 1/2 inch below nail line and mark outline of vent for placement later. Mark outline of 11 x 11 inch hole. With blade set to thickness of sheathing, cut hole in roof deck.



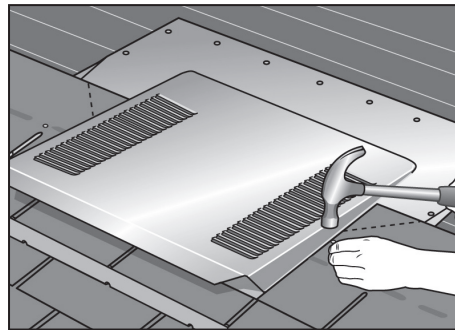
2. SEAL using a sufficient amount of locally-approved sealant around inner and outer flange.



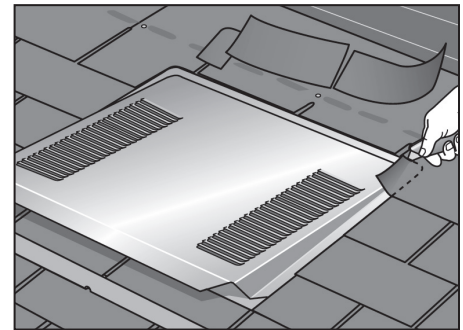
3. PLACE vent directly over 11 x 11 inch hole using previously marked outline as a guide.



4. SECURE at 4 inch centers, using locally-approved roofing nails or screws of sufficient length to penetrate sheathing. **SEAL** all penetrations using locally-approved sealant.

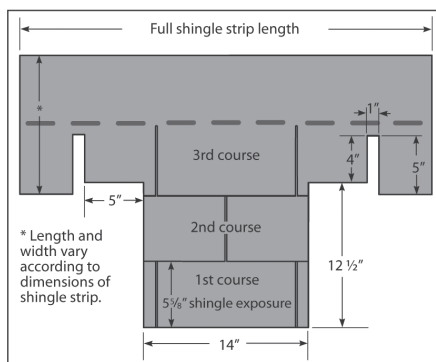


5. COVER with roofing material around vent. Based on local best practices, a 45 degree angle cut must be made on the material terminating at the vent. (See Step 5A if installing shingle-over finish method).

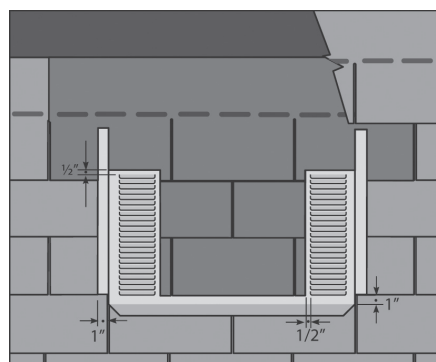


6. TRIM roofing material back 1 inch on top and sides of vent to allow for proper drainage.

5A. ALTERNATE SHINGLE-OVER FINISH METHOD



1. TRIM Cut 2 shingle strips to lengths shown for Courses 1 and 2. Using a full length of shingle strip, trim to pattern dimensions shown for Course 3.



2. BEGINNING WITH COURSE 1 Align and attach to top of vent as shown using locally-approved peel and stick, two-sided tape, or sealant Repeat with courses 2 and 3 to complete shingle-over finish method.

***Optional Wind Diverter** (Wind speeds exceeding 70 mph) installation should occur before securing lower course of shingles at vent placement. Mark diverter location (centered in alignment with vent location) one course below lower edge of vent. Apply bead of locally-approved sealant to underside of diverter; install on mark so that next shingle course can be installed over base of diverter, leaving 1/4 inch to 1/2 inch channel between edge of shingle course above diverter and inside diverter wall. Secure with four evenly-spaced, locally-approved roofing nails or screws of sufficient length to penetrate sheathing. Continue with Step 1.

GENERAL INSTRUCTION NOTES:

- Class A materials should be used for best results.
- Do not install vents below areas of concentrated water runoff, particularly if partially under, near, or adjacent to solar array installations. Placement assumes gutters are installed and are in good working order in all applicable areas.
- Standard installation is at 3:12 pitch or greater.
- INTAKE vents are installed in the lower 1/3rd of the attic, a minimum of 6" above the attic insulation. The width of any eave overhang shall be taken into consideration so, for example, the insulation does not block the attic vent opening.
- EXHAUST vents are installed within 3' of the ridge assembly (at the highest point possible – a minimum of one full course below the ridge) unless prevented by structural framing or other design limitations.
- O'Hagin vents are designed to be part of a complete roofing system. Failure to properly install all components will negatively impact overall performance and will void warranty protection.
- For specific information regarding high velocity wind areas (70-110 mph) contact O'Hagin.

210 Classic Court, Suite 100
Rohnert Park, CA 94928
Toll Free 877-324-0444
Fax 707-588-918
www.ohagin.com

O'HAGIN 
THE TECHNOLOGICAL LEADER IN ATTIC VENTILATION



WATCH OUR INSTALL VIDEOS
Scan this QR Code to watch easy step-by-step install videos.