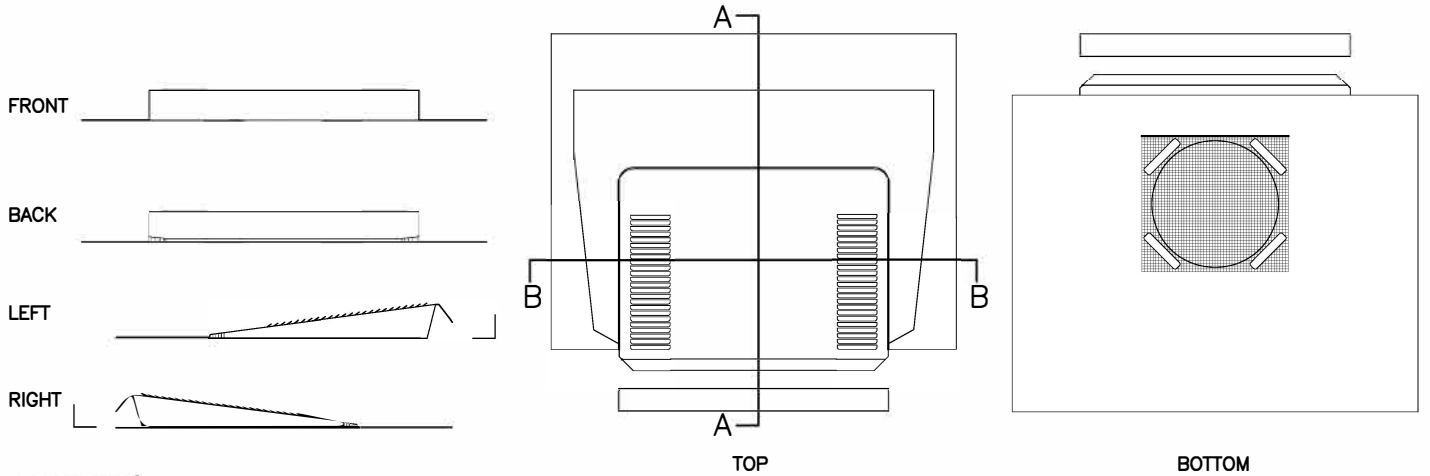


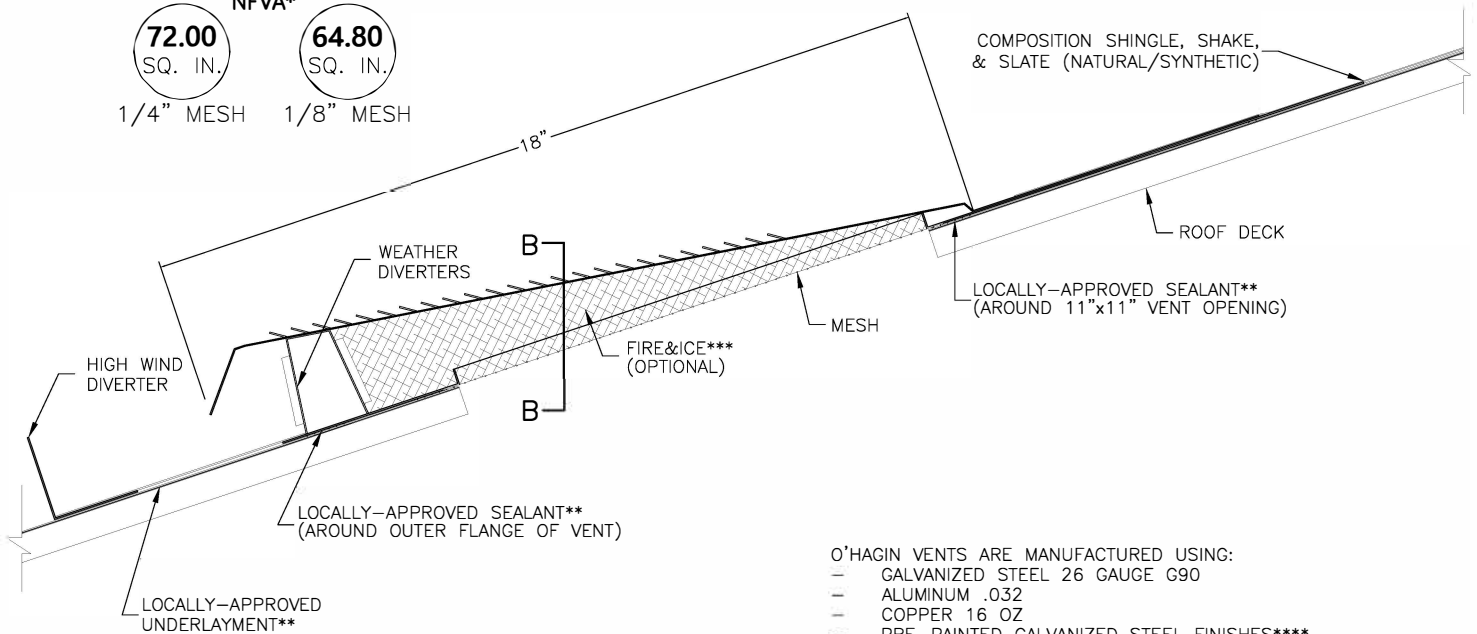
MATERIAL: COMPOSITION SHINGLE, SHAKE & SLATE (NATURAL/SYNTHETIC)

PRODUCT: LOW PROFILE (TAPERED)



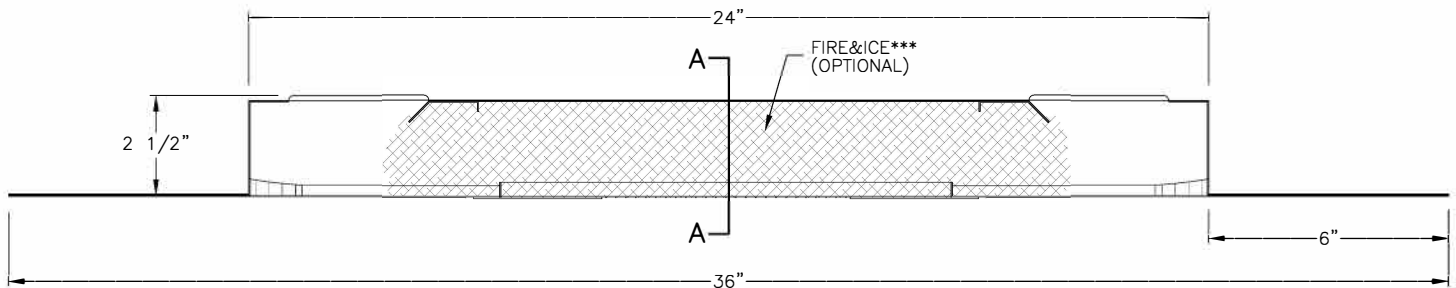
ELEVATIONS

NFVA*
72.00 SQ. IN. 1/4" MESH
64.80 SQ. IN. 1/8" MESH



O'HAGIN VENTS ARE MANUFACTURED USING:
 - GALVANIZED STEEL 26 GAUGE G90
 - ALUMINUM .032
 - COPPER 16 OZ
 - PRE-PAINTED GALVANIZED STEEL FINISHES****
 (BLACK, BROWN, CHARCOAL, GRAY, TERRA COTTA & WHITE)

SECTION A



SECTION B

* NET FREE VENTILATION AREA FIGURES BASED ON INDEPENDENT EVALUATION REPORTS.
 ** CLASS A IN WILDLAND URBAN INTERFACE WUI AREAS.
 *** FLAME, FIREBRAND (EMBER), RAIN & SNOW RESISTANT REQUIRED FOR (WUI) AREAS.
 **** COLORS MAY VARY BETWEEN LOTS, SUBJECT TO INCREASED LEAD TIMES BASED ON AVAILABILITY.



LOCAL & NATIONAL APPROVALS
 O'Hagin is a recognized leader in attic ventilation testing and design.



210 Classic Court, Suite 100
 Rohnert Park, CA 94928
Toll Free 877-324-0444
 Fax 707-588-918
www.ohagin.com