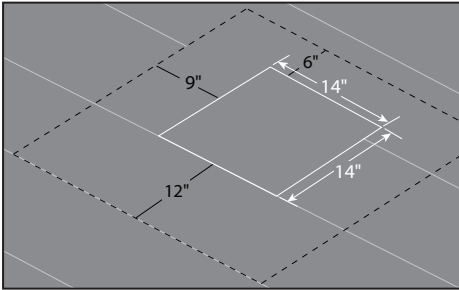
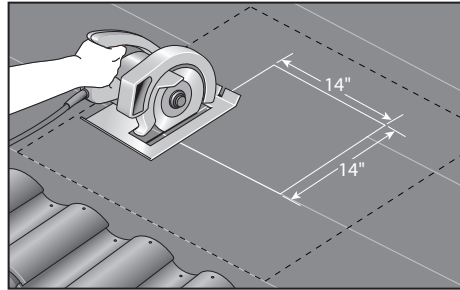


O'HAGIN UNIVERSAL DIRECT DECK ATTIC VENTS INSTALLATION INSTRUCTIONS FOR CONCRETE & CLAY TILE ROOF APPLICATIONS

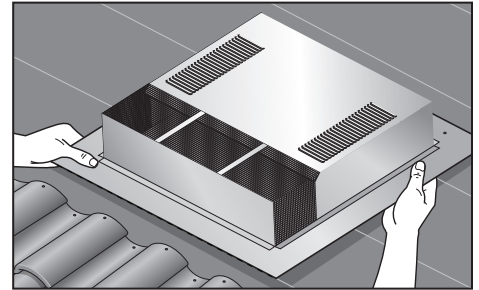
CONCRETE HIGH PROFILE (S)



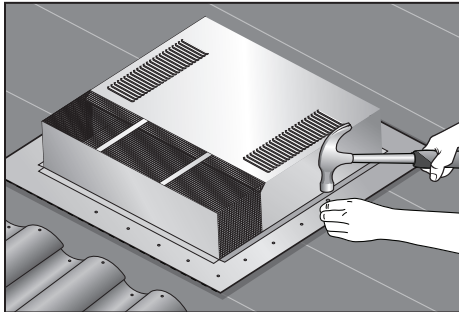
1. MARK outline of vent for placement later, and 14 x 14 inch hole.



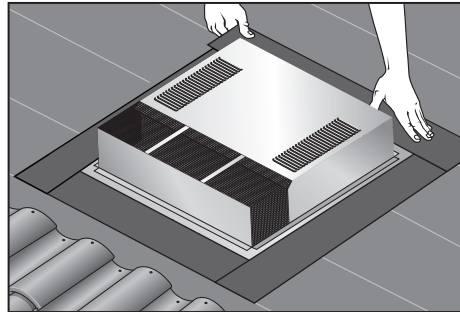
2. Cut the 14 x 14 inch hole in the roof deck. (Note: Set blade to the thickness of the sheathing.)



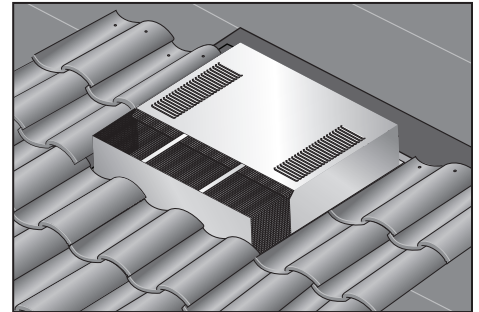
3. PLACE vent directly over 14 x 14 inch hole using previously marked outline as a guide.



4. SECURE vent at 4 inch centers, using locally-approved roofing nails or screws of sufficient length to penetrate sheathing.

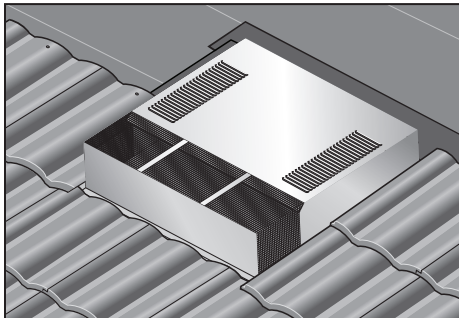


5. FLASH (See No.1 in the General Instruction Notes below.) When using peel and stick or membrane and mastic methods, apply bottom strip first, then sides, and finally the top strip.



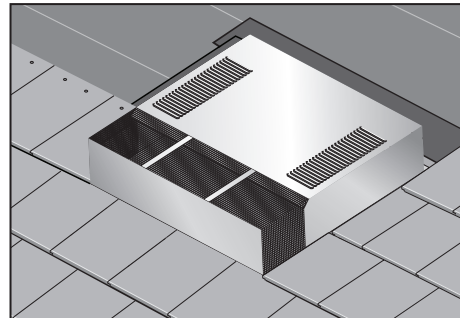
6. COVER vent flange with roofing material. Secure roofing material using locally-approved roofing nails or screws of sufficient length to penetrate sheathing.

CONCRETE MEDIUM PROFILE (M)



1. Follow Steps 1-5 of the High Profile (S) installation instructions.
2. Secure and seal as shown in Step 6 of the High Profile (S) installation instructions.

CONCRETE LOW PROFILE (FLAT)



1. Follow Steps 1-5 of the High Profile (S) installation instructions.
2. Secure and seal as shown in Step 6 of the High Profile (S) installation instructions.

GENERAL INSTRUCTION NOTES:

- Depending on climate conditions and local best roofing practices, the following methods are acceptable: a) peel and stick; b) three-course and mastic; c) bib-over and mastic, d) membrane and mastic, or finally, e) any other locally-approved waterproofing/sealing method. Any waterproof membrane should be held a minimum of 3/4 inch away from the vent as installed in Steps 1 through 4. Prime metal on vent flange, as installed in Steps 1 through 4, at left, if using peel and stick method.
- Seal all penetrations with locally-approved sealant.
- Do not install vents below areas of concentrated water runoff, particularly if partially under, near, or adjacent to solar array installations. Placement assumes gutters are installed and are in good working order in all applicable areas.
- Standard installation at 3:12 pitch or greater.
- All low vents (intake) shall be uniformly installed a minimum of 6 inches above the attic insulation. The width of any eave overhang shall be taken into consideration so, for example, the insulation does not block the attic vent opening.
- All high vents (exhaust) shall be uniformly installed in the second or third course below the ridge assembly (at highest point possible—a minimum of one full course below the ridge) unless prevented by structural framing or other design limitations.
- O'Hagin vents are designed to be part of a complete roofing system. Failure to properly install all components will negatively impact overall performance and will void warranty protections.