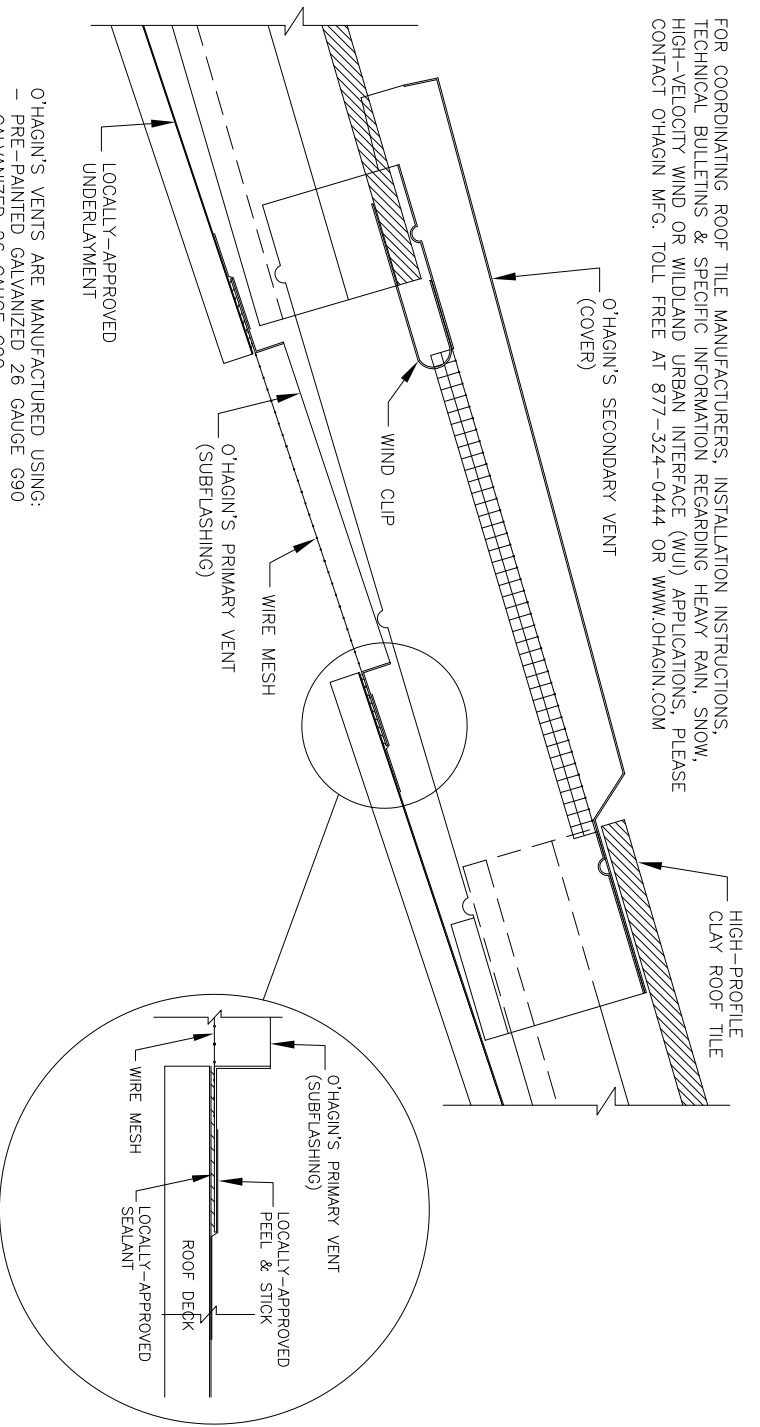
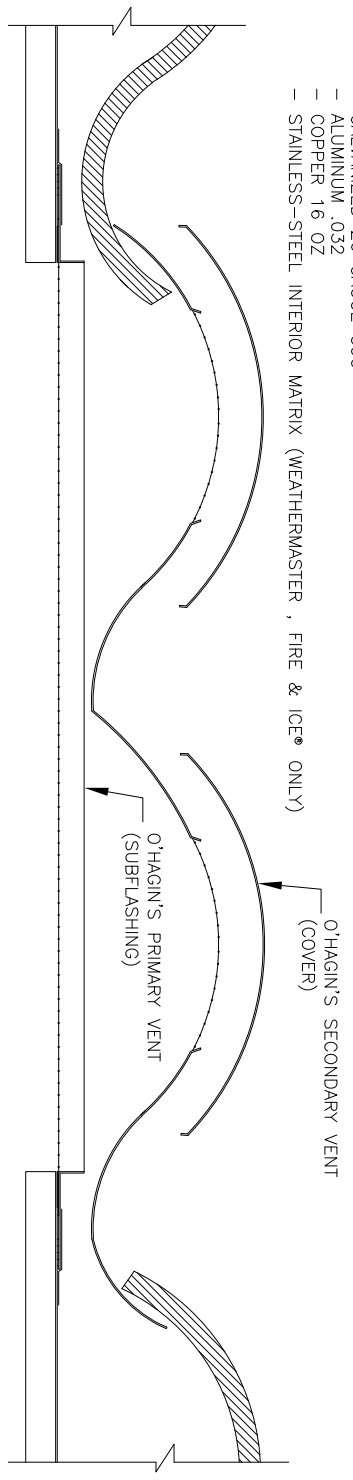


FOR COORDINATING ROOF TILE MANUFACTURERS, INSTALLATION INSTRUCTIONS, TECHNICAL BULLETINS & SPECIFIC INFORMATION REGARDING HEAVY RAIN, SNOW, HIGH-VELOCITY WIND OR WILDLAND URBAN INTERFACE (WUI) APPLICATIONS, PLEASE CONTACT O'HAGIN MFG. TOLL FREE AT 877-324-0444 OR WWW.O'HAGIN.COM



- O'HAGIN'S VENTS ARE MANUFACTURED USING:
- PRE-PAINTED GALVANIZED 26 GAUGE G90
 - GALVANIZED 26 GAUGE G90
 - ALUMINUM .032
 - COPPER 16 OZ
 - STAINLESS-STEEL INTERIOR MATRIX (WEATHERMASTER, FIRE & ICE® ONLY)



O'HAGIN STANDARD "S" TILE VENTS FOR CLAY TILE ROOFS